

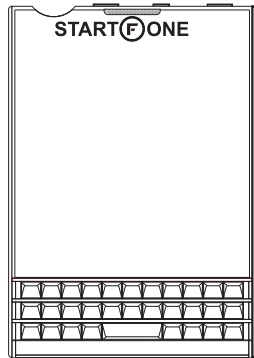
**ФОРТИН-РОССИЯ**

**START F ONE**

*Remote start Telematic control module  
Wiring diagrams*

MINIMUM DELIVERY SET

1. StartFone module



2. RS MODULE PORT cable with connectors



3. POWER CONNECTOR cable



4. INPUTS/OUTPUTS PORT cable



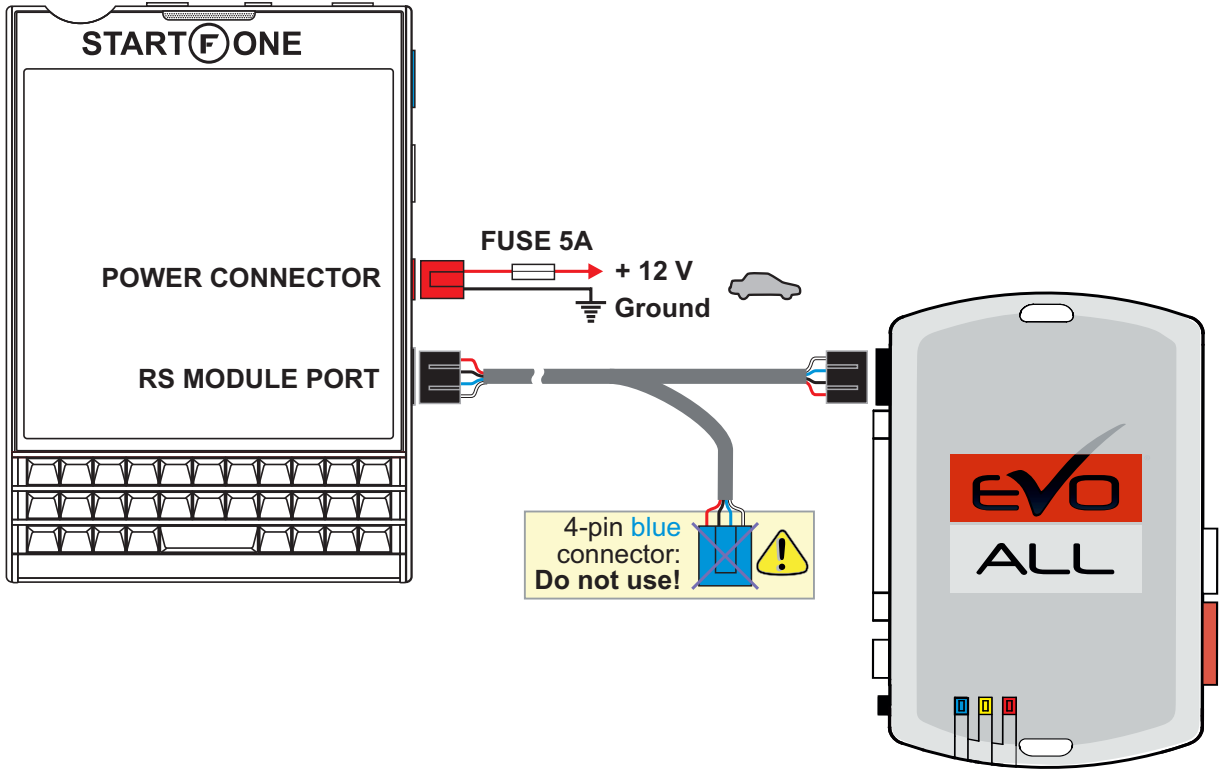
LED INDICATION  
(VISIBLE THROUGH SEMI-TRANSPARENT HOUSING)

Operation	LED response	Red	Blue	Green	White
Modem restart	Solid during 2 seconds	●	●	●	○
StartUP program data exchange	Active in time		●		
UART port data exchange	Flashing in time			●	
Remote start	Solid	●			
Modem data acquisition	Flashing in time				○
Shock sensor activation	Short flashes	●			
GPS receiver connected	Long flashes		●		
Location fixed	Short flashes		●		
Firmware GPRS downloading	Solid				○
Data storing	Flashing		●		

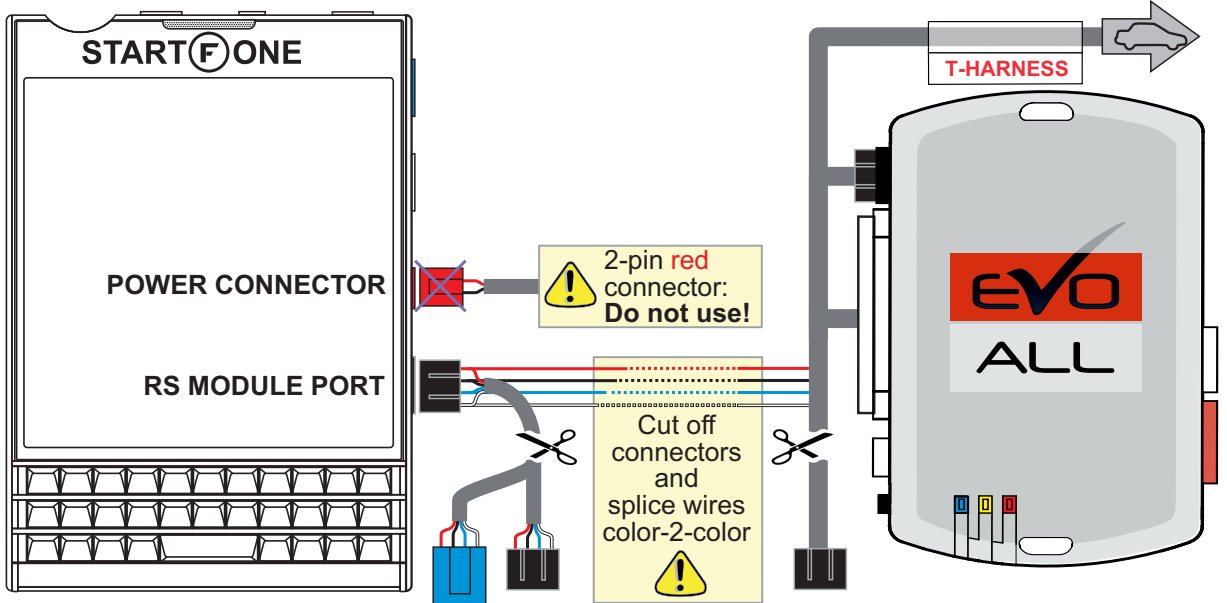
Fortin EVO-ALL CONNECTION

**! AUTOMATIC TRANSMISSION ONLY**

STANDARD



WITH T-HARNESS

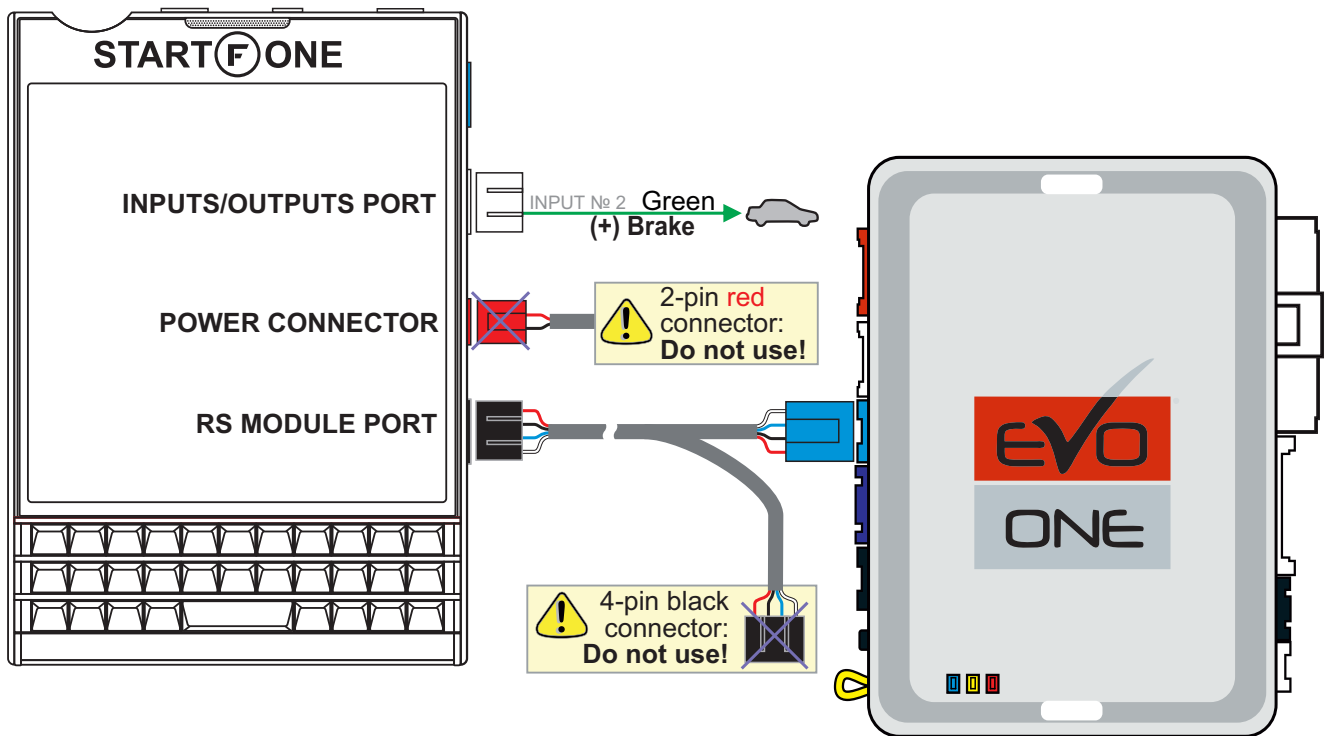


Connect EVO-ALL module to the **FlashLink Updater 2** (sold separately) and use the **Flash Link Manager** software to enable options **B2** и **C1**.

Options «by default» (**A1...A11**) must be installed.

**Do not activate D1 option!** In this case the running time is defined by StartFone only.

Fortin EVO-ONE CONNECTION



Connect StartFone to PC by USB cable, start **StartUP** program and set up **FORTIN 2** protocol via menu: **Settings» Type of bus protocol » Bus protocol: FORTIN 2**

If the SIM card had been installed earlier and StartFone is registered in the GSM net you can achieve the same result by direct SMS command like: **PASS\*974\*1#** (where PASS is the access code equals to 1234 by default).

Connect EVO-ONE module to the **FlashLink Updater 2** (sold separately) and use the **Flash Link Manager** software to enable option **C1 (Bypass)**

Install option **38.4 (Remote-Starter)**.

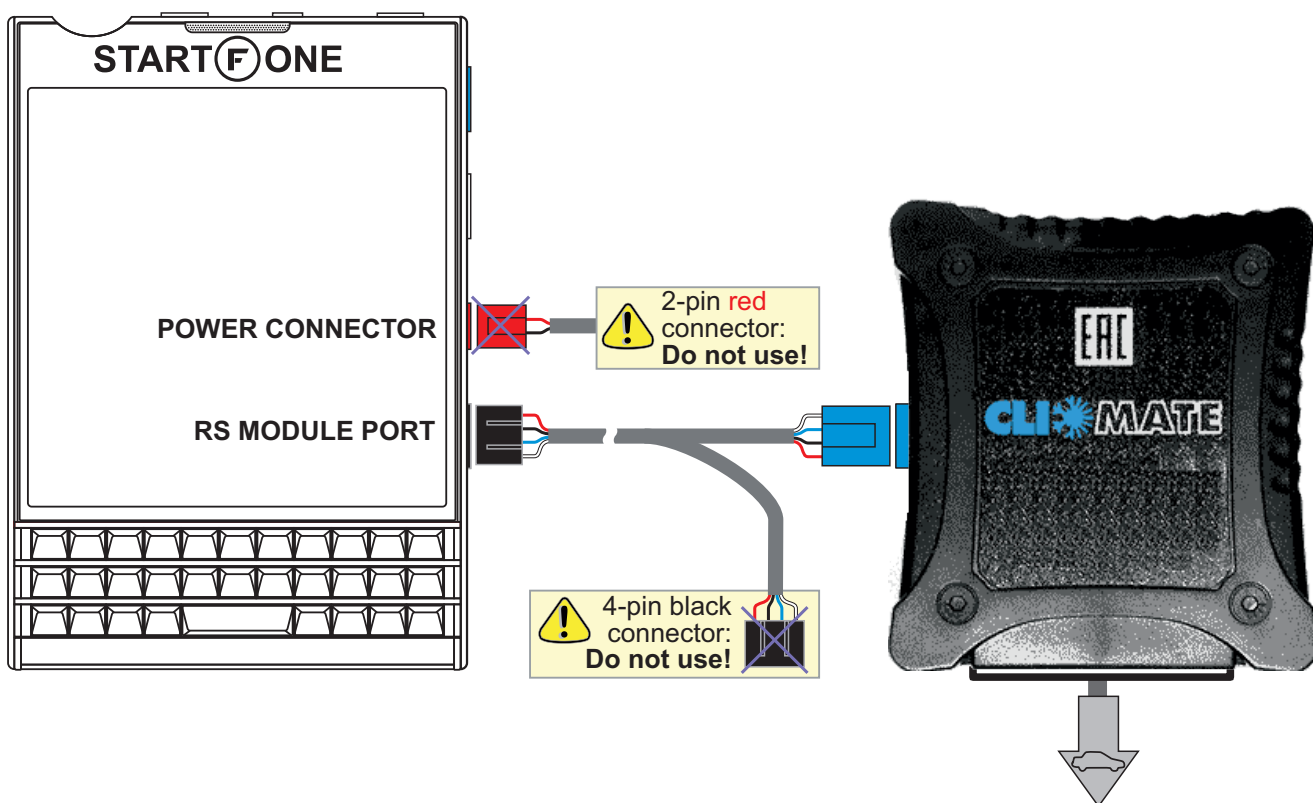
In this case the running time is defined by StartFone only.

You must synchronize EVO-ONE и StartFone modules after it:

STEP 1	STEP 2	STEP 3	STEP 4	STEP 5	STEP 6
Turn the Ignition on.	Press and hold the valet switch until the sound confirmation, then release. The parking lights will turn on, the red LED flash rapidly.	Press and release the valet switch 5 times. Each pressure will be confirmed by siren chirp, parking lights spark and red LED flash.	Press and release the brake-pedal once. The red LED will flash once.	ПОДОЖДИТЕ The synchronization process will start automatically. One can see four parking lights and LED flashes during it.	Turn the Ignition off.

cliMATE (MERCEDES) CONNECTION

**! AUTOMATIC TRANSMISSION ONLY**



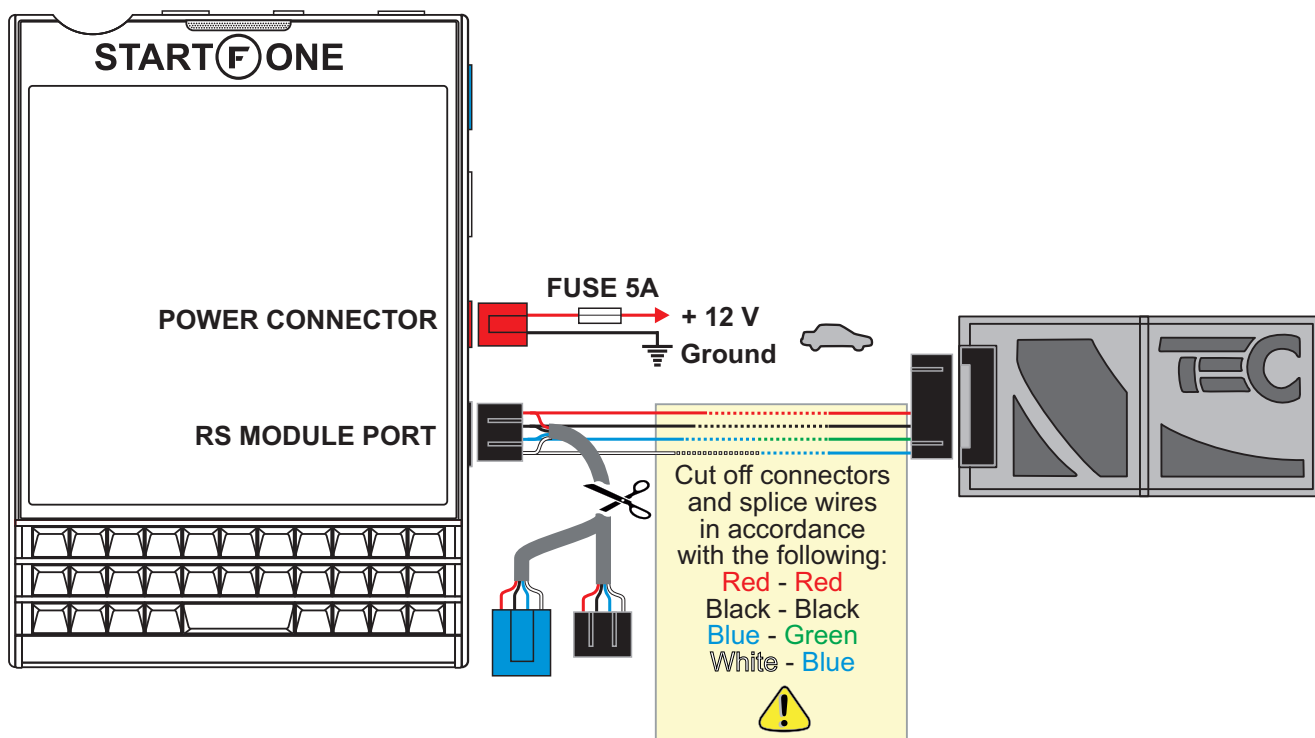
Connect StartFone to PC by USB cable, start **StartUP program** and set up **MB-RUN** protocol via menu: **Settings» Type of bus protocol » Bus protocol: MB-RUN**

If the SIM card had been installed earlier and StartFone is registered in the GSM net you can achieve the same result by direct SMS command like: **PASS\*974\*3#** (where PASS is the access code equals to 1234 by default).

One must install cliMATE **SMARTKEY REMOTE START** function to **OFF** position (**Programming » SmartKey » OFF**).

In this case the running time is defined by StartFone only.

TEC CANTEC-2XL CONNECTION

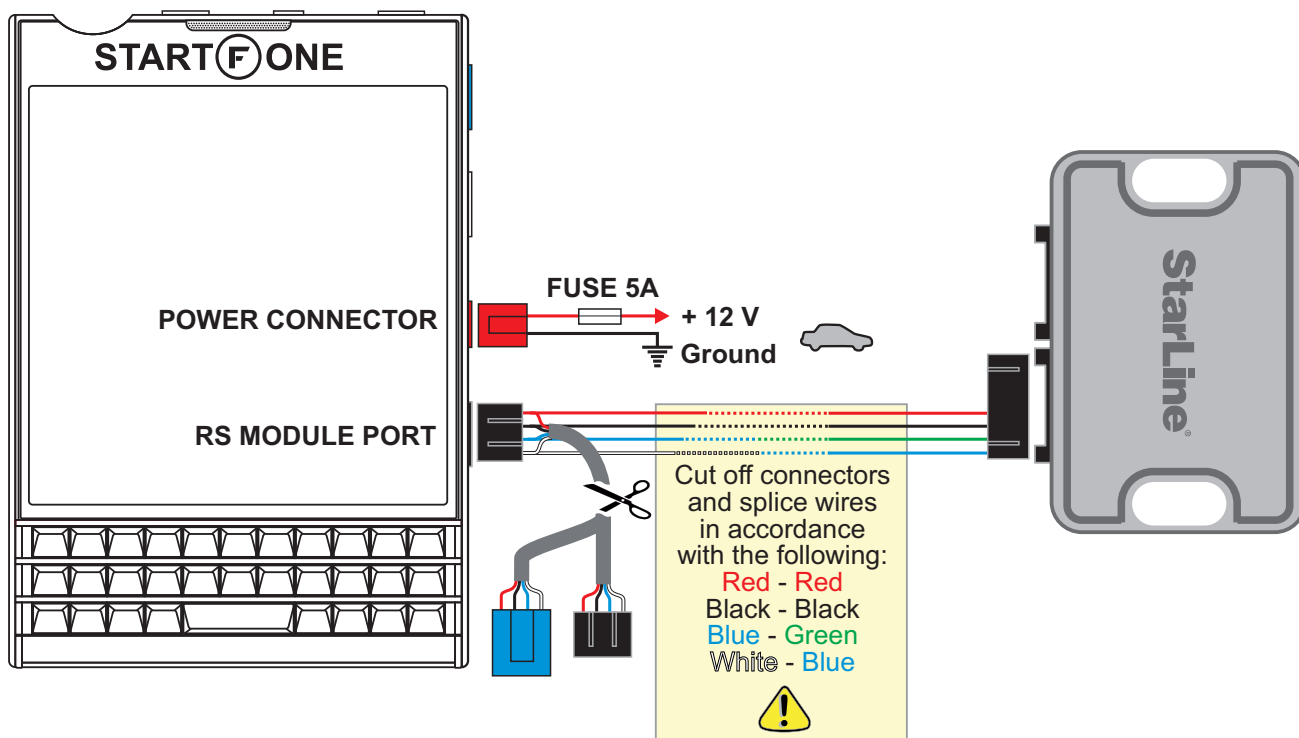


Connect StartFone to PC by USB cable, start **StartUP program** and set up **2XL / SIGMA** protocol via menu: **Settings» Type of bus protocol » Bus protocol: 2XL / SIGMA**

If the SIM card had been installed earlier and StartFone is registered in the GSM net you can achieve the same result by direct SMS command like: **PASS\*974\*2#** (where PASS is the access code equals to 1234 by default).

Functionality of CANTEC-2XL module is defined by it's original firmware..

StarLine Sigma 10/15 CONNECTION



Connect StartFone to PC by USB cable, start **StartUP program** and set up **2XL / SIGMA** protocol via menu: **Settings» Type of bus protocol » Bus protocol: 2XL / SIGMA**

If the SIM card had been installed earlier and StartFone is registered in the GSM net you can achieve the same result by direct SMS command like: **PASS\*974\*2#** (where PASS is the access code equals to 1234 by default).

Functionality of SIGMA 10 & SIGMA 15 modules is defined by it's original firmware.

**NOTES**

---

---

---

---

---

---

---

---

---

---

---

---

---

---

---

---

---

---

---

---

---

---

---

---

---

---

 **STARTPHONE.SU** Rev. 20171004  
**TECHNICAL SUPPORT: +7(800)250-20-11**